

Reliable Solutions for
Injection Molding and
Plastic Injection



 **AYBERKSAN**[®]
PLASTİK KALIP SANAYİ

www.ayberksan.com

Reliable Solutions for Injection Molding and Plastic Injection

THE MESSAGE OF FOUNDER

We started mold production with the combination of experience and technology in 2004. As AYBERKSAN, we have accomplished successful projects at home and abroad with our innovative ideas and practices without sacrificing quality.

Our goal is to continue our rise by preserving our vision and mission and to improve our position in the international market.

Plastic Injection has an important place in Turkey and in the world in terms of technology and sustainability. Every step taken in this field will show improvement if it is taken with foresight, experience, analysis, and control mechanisms.

As AYBERKSAN, we provide all kinds of support in order to keep the productivity of our customers at the optimum level in this process led by mold manufacturing design. We have been continuing to raise quality people with environmental awareness since the day we were founded.

In this context, I would like to thank all our employees, valuable customers, and business partners who have supported us in moving our company forward.

Kindly regards,
Aydın BEKTAŞ



▶ PLASTIC MOLD AND PLASTIC INJECTION

AYBERKSAN Plastic Mold Industry started its service in 2004 in İvedik Organized Industrial Zone with mold manufacturing. Due to the fact that quality and customer satisfaction are equivalent, it has signed many successful projects in different sectors both at home and abroad in a short time.

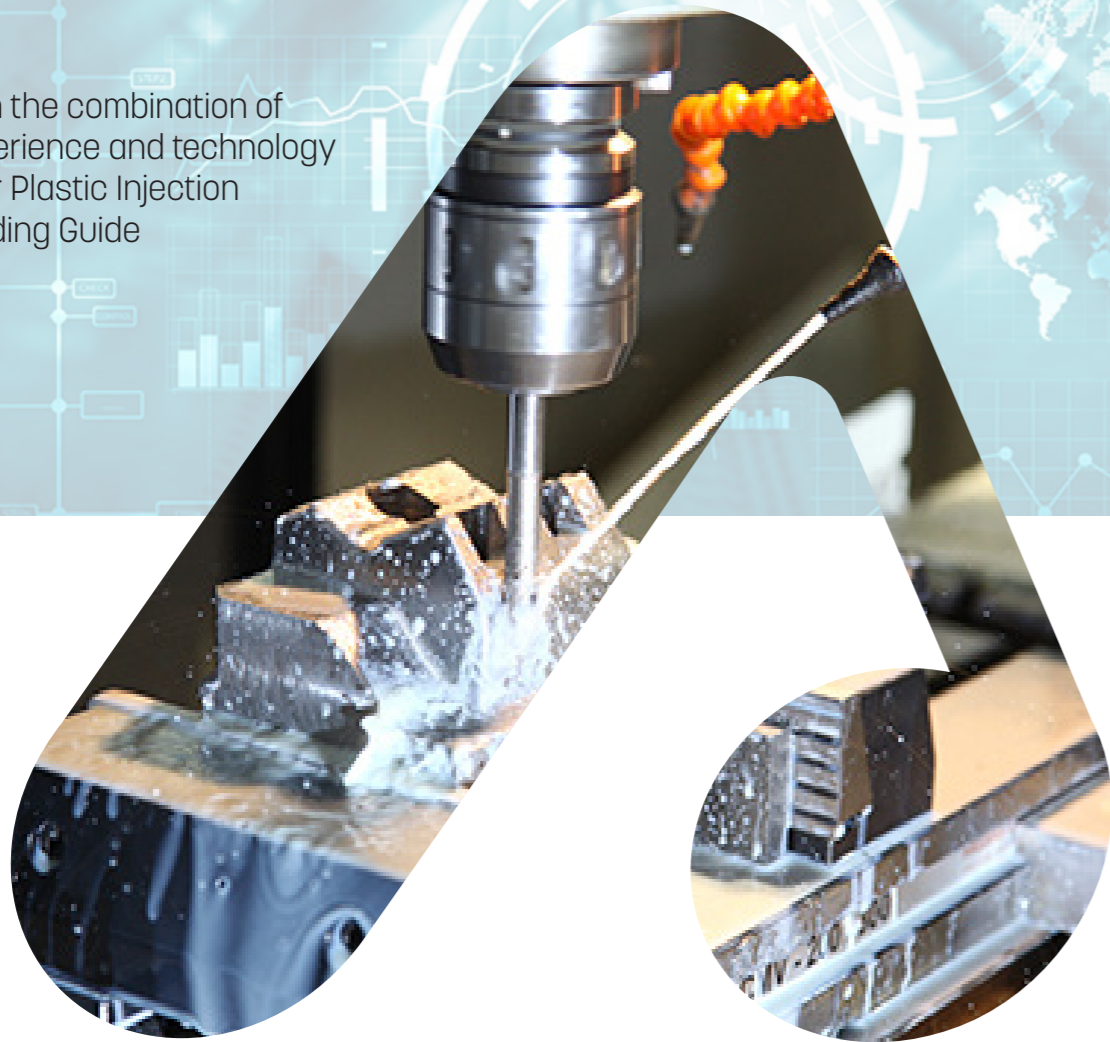
While demonstrating his sensitivity to quality with the certificates he has, his biggest investment has been the importance he gave to human resources and technological developments.

It has expanded its vision by adding plastic injection, which is one of the integral parts of the industry, to its mold production, and has brought together thousands of products and services from the defense industry to the medical industry, from the automotive industry to furniture, from the park and garden group to the drilling industry.

It has made it its mission to offer the most suitable solution to the demands of its customers in the field of plastic injection and injection molding. Accurate and efficient transfer of information is at the forefront of its commercial principles.

It has always managed to remain dynamic with its technical capacity, sensitivity in R&D, and dedication to customer satisfaction

**▶ With the combination of
experience and technology
Your Plastic Injection
Molding Guide**



O U R S E R V I C E S

CONSULTANCY

R & D

MOLD DESIGN

MOLDING

PLASTIC INJECTION

CONSULTANCY

Although mold production is widespread in the Plastic Mold sector, the necessary care is not taken in mold manufacturing. It is extremely wrong to expect high efficiency from the mold, which started to be produced only in line with the customer's demand, without the necessary tests and analysis. To be mass-produced with the mold, it is essential to carry out some tests and cost and efficiency analyses before production starts. For this reason, as AYBERKSAN Mold Industry, we provide consultancy services to our customers in many areas.

We can summarize them as follows:

Consultancy in Transition to Production: Are your demands that your real needs?

Costing and Analysis Process Management: Are your planned investments suitable for your budget?

Product Design: How you can produce your product in the most economical way?

Moldflow: How do we get the lowest cycle time?

Test and Control Process Consultancy: How durable is your product?

Please contact us with any questions about injection molding and plastic injection.



R & D

Injection mold production is a complex process that cannot be underestimated. The resulting product is the main element to be used in injection molding machines. Therefore, at every stage of the process, there are improvements that need to be made in line with the research and the data obtained from these researches.

The R & D process, which started with the examination of the samples we received, continues in the design and injection stages. As AYBERKSAN, our aim is not to present a large number of products with the existing data, but rather to increase the data we have and to present better quality, problem-free and economical solutions. The process we call development cannot happen without research. With this awareness, we, as AYBERKSAN Plastic Mold Industry, continue our research to take the experiences we have gained so far to the next level, to add and develop a new one.

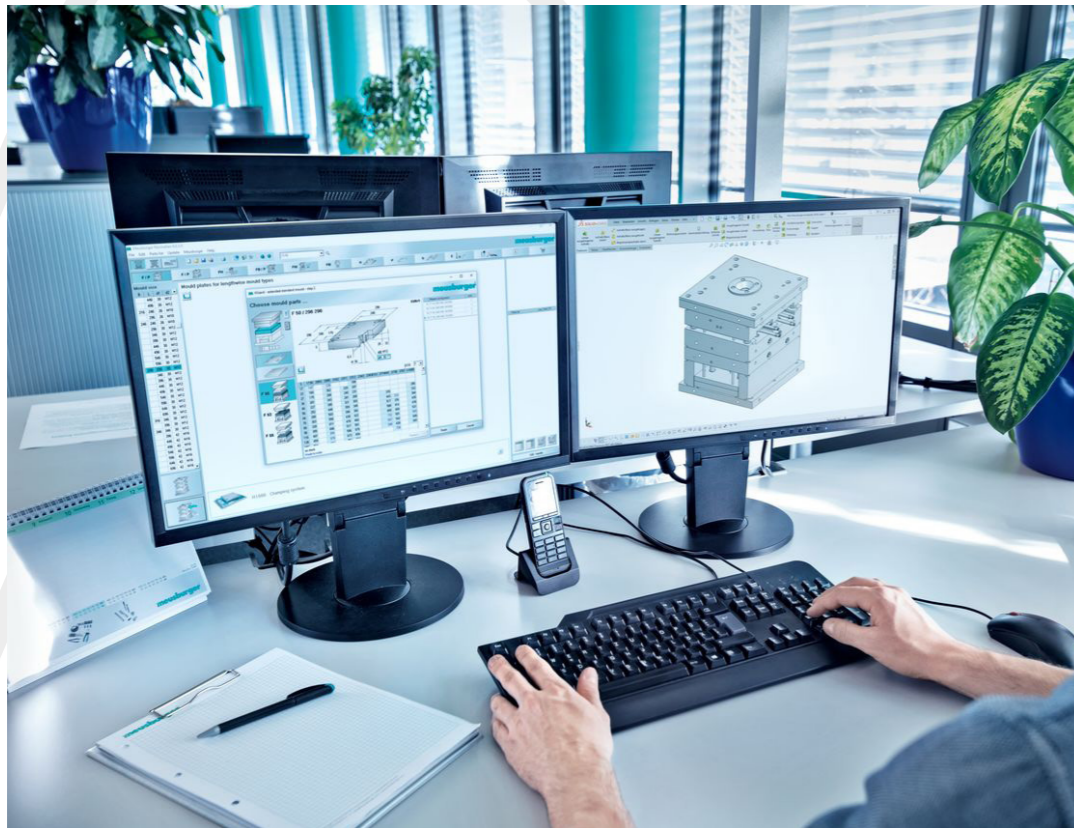


MOLD DESIGN

Mold design is a process that starts with sketches on paper, continues with computer programs, and ends with necessary improvements after injection. Of course, at the present, design on paper is almost non-existent, except for the way customers express themselves. With the developing technology, it has become very easy to do 3D studies in programs such as SOLIDWORKS.

As AYBERKSAN Kalıp Sanayi, we start production in line with the demands of our customers, after making the most suitable designs and getting their approval. Although the design has become easier with technology, it is a difficult process due to factors such as surface quality, type of raw material, and the machine to which the molds will be connect. In order to ensure that the product to be produced is at the desired efficiency, the mold design is tested and analyzed many times in programs such as Moldflow, CAD and CAE, and the necessary data is obtained. After the approval of the received data by the customer, the design is canalized to the machine park.

Contact us for getting more info from our professional staff.

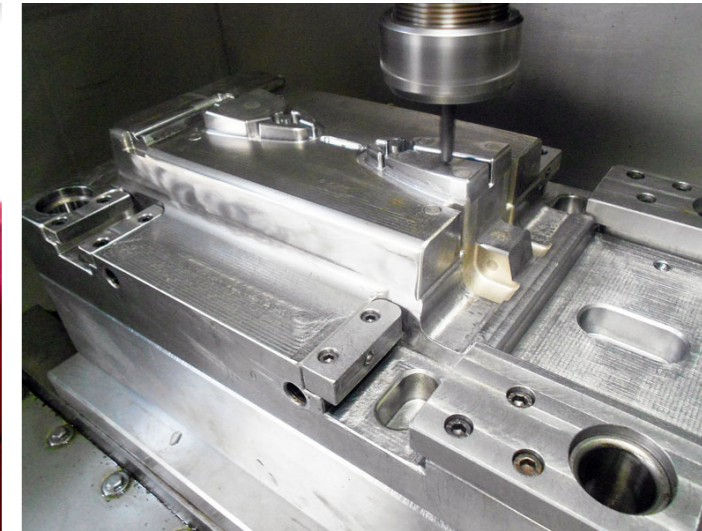


MOLDING

Plastic Mold Industry Sector; It has developed with the widespread use of plastic. Our company, which follows these developments closely, has made many improvements and updates in the field of plastic mold / injection mold.

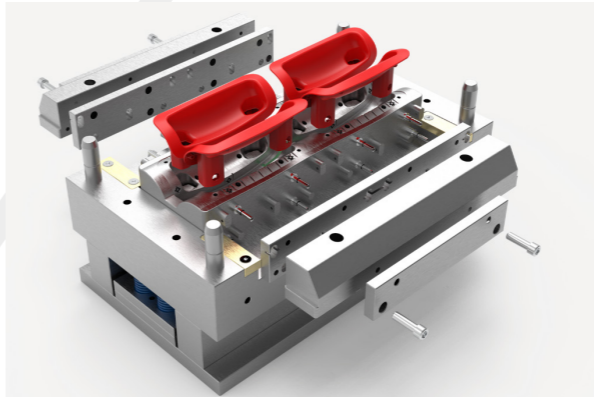
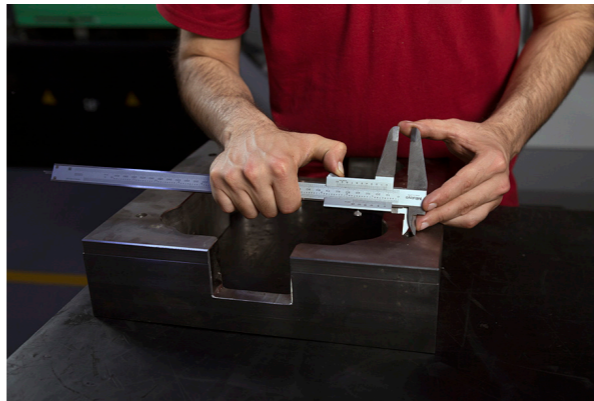
By directing the design process, which is completed with great care, to the machine park, the necessary mold set for mold manufacturing is ordered. The raw material of the incoming mold set is selected according to the product and product type. Quality and efficiency are kept at the optimum level in works that require high precision. In addition to injection molds, AYBERKSAN Kalıp Sanayi also produces zero split lines, hot runner mold, blow molds, rubber press molds, and insert molds.

The mold designed in the CAM phase is programmed for processing on CNC machines. At the same time, the processes that require dimensional precision are reviewed again. After programming, the mold is processed on the CNC machine. Milling machines are used for slots and ejector pins, EDM plunge erosion is used for surface treatment. Before the injection mold is set up, the moving parts are checked for the last time. After all inspections, the mold is set up and sent for trial injection.



MOLDING

MOLDING



▶ PLASTIC INJECTION

Most of the plastic products are produced by injection methods. Injection in summary; is the process of injecting the melted raw material into the mold at a certain temperature and proportion and obtaining the plastic product after cooling. It is a method widely used in Turkey and in the world.

As AYBERSAN Plastik Kalıp Sanayi, we also house the plastic injection process, which is an indispensable part of our injection mold production, within our company. Plastic injection; raw material amount, machine temperature, runner temperature, cooling time, etc. It is a process that includes many factors at the same time. If it is not done by experts, burrs, depressions, punctures, etc. undesirable consequences are inevitable. Our company, which sees quality and satisfaction as equivalent, has made and continues to make all necessary investments in this regard.

Injection mold and plastic injection products produced within our company; All processes from raw material to runner temperature, from mixing ratios to cooling time are meticulously monitored and reported. Necessary analyzes and tests are carried out throughout the production process, and the solution to the encountered problem is provided as soon as possible.

We can list some of them as follows:

- Raw material analysis
- Tensile Test
- Compression Test
- Drop Test
- Hardness measurement tests
- Multi-axis static tests



INDUSTRIES

DEFENCE INDUSTRY

MEDICAL

AUTOMOTIVE

FURNITURE - ACCESORIES

DRILLING RIGS ACCESORIES

PLAYGROUND FASTENERS

OTHERS

DEFENCE INDUSTRY

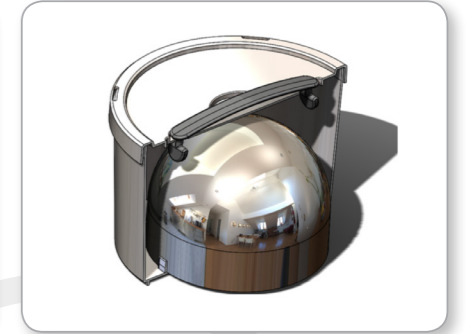
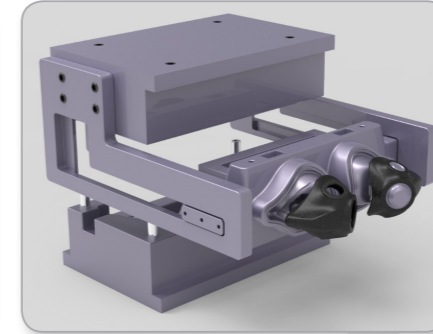
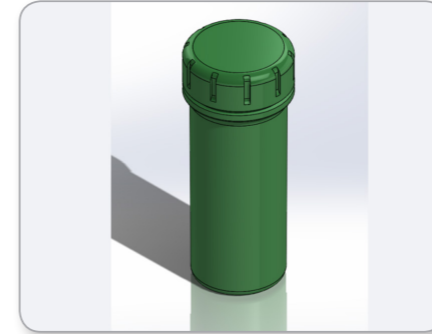
The first formation of the Turkish Defense Industry in History dates to the 14th century. Our Defense Industry lost its power, which was in a strong position until the 17th century after we were left out of the developments in Europe in the 18th century, and after the 1st World War.

The activities in the field of the defense industry, which started in the first years of the Republic period after World War II, became foreign-dependent with the aid received from the USA due to the economic situation and political reasons.

Concrete steps were taken to establish the National Defense Industry in the 1970s. With the development plans initiated in the 1980s and the establishment of the Undersecretariat of Defense Industry, necessary steps were taken to nationalize the weapons and equipment used in this industry.

Our national defense industry has mobilized many sectors in parallel with the recent developments. One of the most important of these is the injection mold industry. The defense industry is attentive to domestic suppliers, that will meet its weapons, vehicles, and equipment because it includes sensitive and complex systems.

AYBERKSAN Plastic Mold Industry, which was authorized in the Defense Industry after quality and system tests; From wireless communication to unmanned aerial vehicles, from sniper rifles to heavy armored vehicle equipment, has put its signature under successful projects such as design, product development, prototype manufacturing, and special productions through corporate companies such as ASELSAN, MKE, TAI, STG.

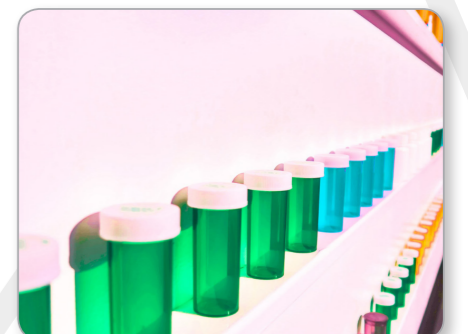
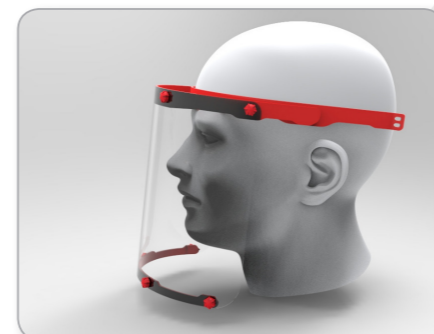
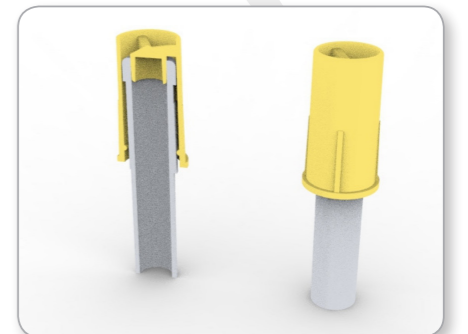
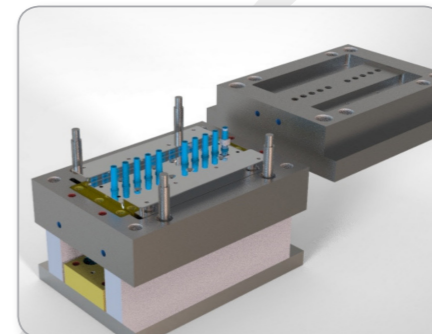
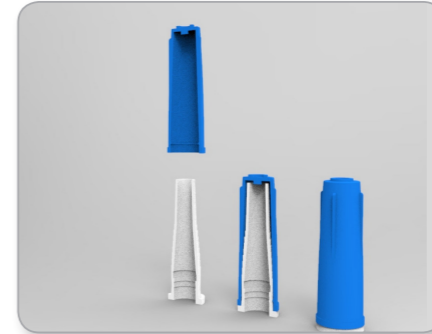
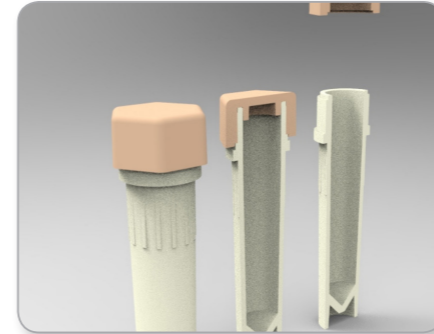
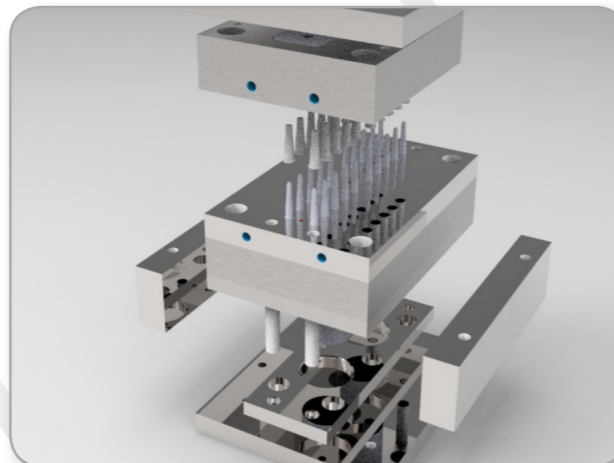
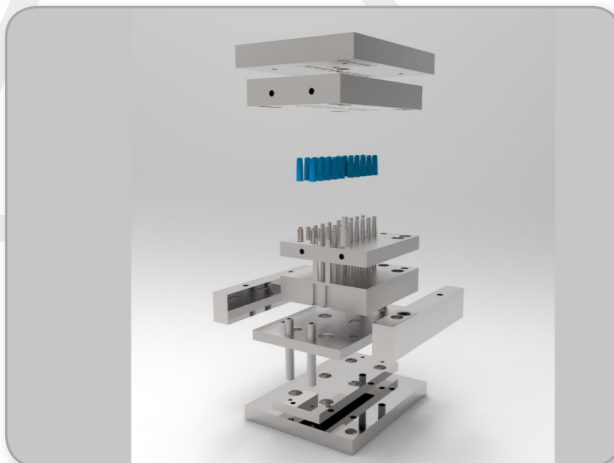
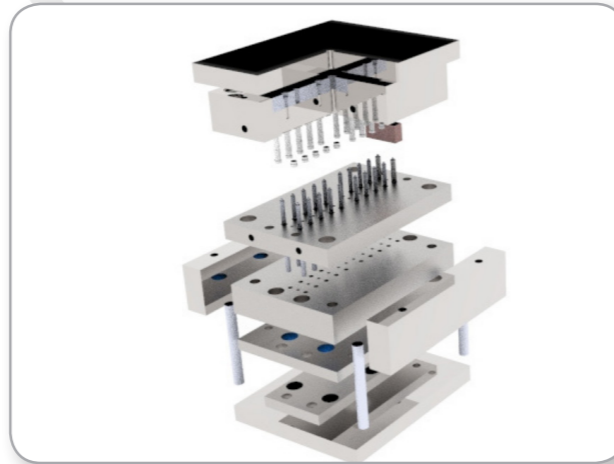
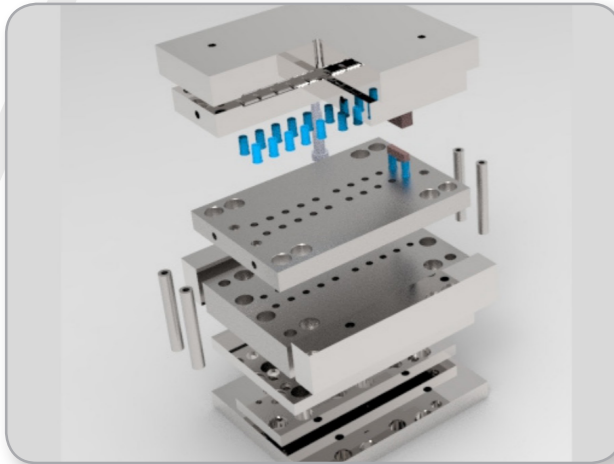


MEDICAL

One of the indispensable elements of the health field is the medical sector. Many devices, equipment, machines, and test kits used in this sector have become indispensable elements in terms of quality health care.

The importance of domestic entrepreneurs is very great in this sector, where we are 80% dependent on foreign sources. The fact that any investment to be made will reduce our country's dependence on foreign health in the field of health and play a major role in gaining strength in the economic and social field cannot be ignored.

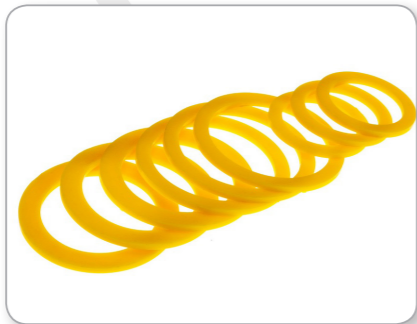
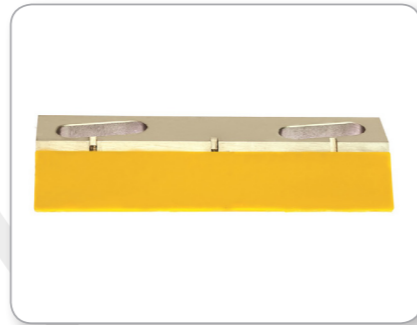
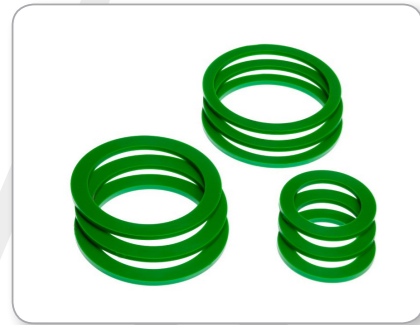
As AYBERKSAN Plastic Mold Industry, we know the importance of being in the medical sector and we are directing our investments in this direction. We respond to the needs of the medical sector with the production of molds and plastic injections from the needs in the pandemic period to test kits with sensitive content, and devices used in disease treatments.



DRILLING RIGS ACCESORIES

Drilling works in our country started with the establishment of MTA in 1935. In the 1950s, drilling applications started not only in the field of oil extraction but also in the field of mining and natural resources. After the 1970s, the number of private drilling companies has increased and today it is over 1000.

With the development of the drilling industry, the use of products produced by plastic injection has increased. The parts, which are mostly called plastic gaskets and felts, are produced and used as plastic injection. The molds of the gaskets made of rubber are also produced in our company and the prints are taken. Rubber and plastic seals etc. belonging to the equipment used in this sector. As AYBERKSAN Mold Industry, we bring the products with the end-user.



AUTOMOTIVE

One of the most popular sectors in the field of Injection Molding and Plastic Injection is the Automotive Sector. Most automotive accessories consist of plastic and rubber. This is the most important indicator that injection molds and plastic injection products maintain their value.

The markets formed in the global world have almost taken on the nature of domestic markets, and competition between countries has gained momentum. AYBERKSAN Plastic Mold Industry takes the necessary steps one by one with quality and corporate awareness for its goals to become a brand in both local and world markets.

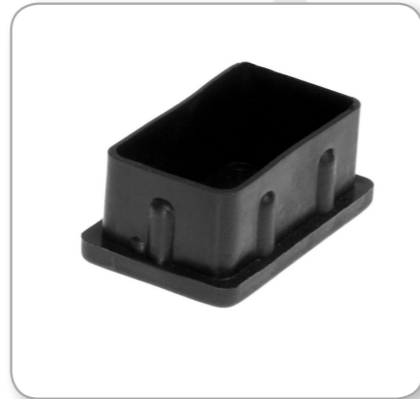
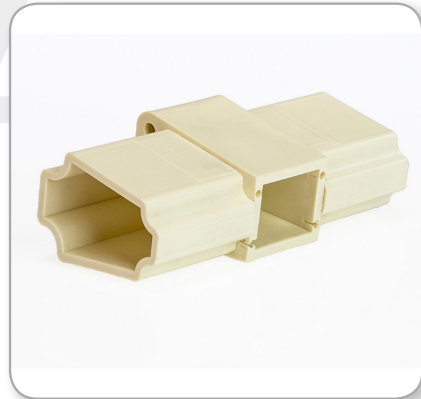
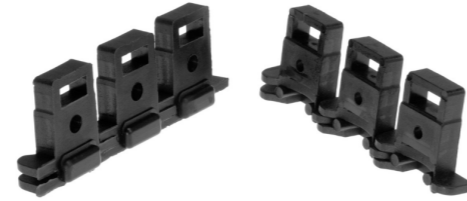
Nissan, Turk Traktor, and Hyundai are among the brands it has served in the automotive sector so far.



FURNITURE ACCESORIES

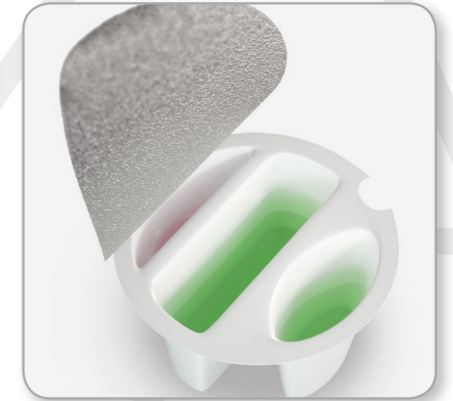
Furniture, which is defined as objects that facilitate living conditions and provide order in the space; has created its own industry that has been constantly evolving throughout history. With the development of technology, the competition in the furniture sector has increased and labor has become cheaper. The most important elements in modern furniture have been the use of materials, lightness, and sustainability. Therefore, it has become an indispensable part of the plastic furniture industry.

As AYBERKSAN Kalıp Sanayi, we have taken part in the sector by producing molds for a large number of equipment, accessories, and plastic parts of moving parts that used in the furniture sector. Our products come to the fore with the most suitable materials and design quality.



OTHER SECTORS

AYBERKSAN Mold Industry, which continues its activities in the Injection Mold Sector; As it developed itself in R&D and Design, it was inevitable that it would receive demand from various sectors. It has offered many products as injection molds and plastic injection to the Medical, Automotive, Playground, Furniture sectors, especially the Defense Industry. In addition to these, it has signed remarkable projects in the Cosmetics, Airline and Electricity sectors. We believe that we will have many more successful projects with our principle of providing quality service to our customers.



▶ PLAYGROUND FASTENERS

Game, which is an indispensable part of children's development; Although it has passed through many phases until today, it has been integrated with the playgrounds that have not lost their essence. Playgrounds, which are places where all children have fun throughout history, are also in demand in the plastics industry today.

AYBERKSAN Mold Industry; It has an important place in the sector in terms of Playground Equipment fittings, Adventure Park Rope Accessories, and Sports Equipment Fittings and Spare Parts. It continues to provide direct service to public institutions and manufacturers in the private sector by purchasing bulk spare parts.





REFERENCES

- | | | |
|--|--|--|
| | | |
| | | |
| | | |
| | | |
| | | |
| | | |
| | | |



 **AYBERKSAN®**
PLASTİK KALIP SANAYİ

 İvedik O.S.B, Aydın Plastikçiler San.
1535. Cad. No: 40 Yenimahalle - ANKARA
PK 06378

 T: +90 312 394 51 10
F: +90 312 394 51 13

 bilgi@ayberksan.com
www.ayberksan.com

 **Oversaes Sales**
T: +90 530 867 79 11
E: sales@ayberksan.com

