



Ball Screw Support Bearings (ZKLN)

ZKLN bearings from HQW Precision are double row, axial angular contact ball bearings with a pressure angle of 60°. Because of the split inner ring ZKLN bearings are free of play and have a defined preload after assembly. Their internal geometry ensures very high axial stiffness and they are often used in screw drives, which require a stiff, play-free bearing. Radial forces can also be supported.

Performance Materials

The HQW range of ZKLN bearings are typically manufactured from chrome steel rings and steel balls. Depending on application requirements, they can also be made of stainless materials such as X65Cr13 (HQW Designation: S) or X30CrMoN15-1 (HQW Designation: SV). Hybrid versions incorporating ceramic (Si_3N_4) balls can also be supplied.

Cages are usually made of phenol resin reinforced cotton fabric but can be also produced out of Torlon® or PEEK. For higher load capacities, full ball complement designs are possible.

Lubrication

ZKLN bearings are lubricated with a high load capacity grease, which in most cases is sufficient for the entire service life of the product. All ZKLN types have a lubrication hole in the outer ring through which the bearing can be relubricated if necessary.

Seal Options

All ZKLN bearing designs are fitted with a seal as standard. The bearings can also be supplied open on request.

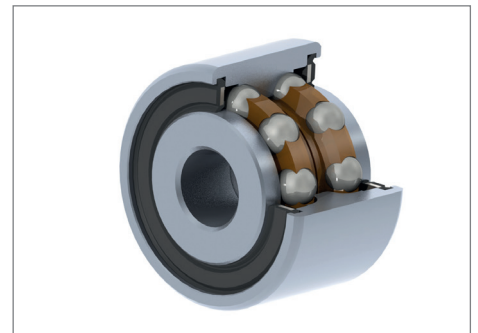
LLU = Contact seals | LLB = Non-contact seals

Available Size Range

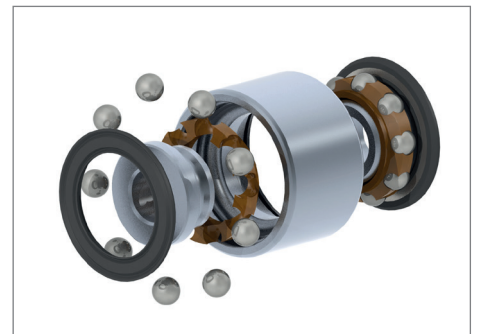
	d (mm)	D (mm)	B (mm)
ZKLN0619	6	19	12
ZKLN0624	6	24	15
ZKLN0832	8	32	20
ZKLN1034	10	34	20
ZKLN1232	12	32	20
ZKLN1242	12	42	25

Other sizes on request.

Further information can be obtained from the HQW Application Engineering Dept.



Ball screw support bearing (ZKLN)



Exploded view of a ZKLN ball bearing



ZKLN bearings are often used in screw drive applications

www.hqw.gmbh

HQW Precision GmbH | Wachtelberg 23, 97273 Kürnach, Germany
Tel: +49 (0) 9367 98408-0 | Email: info@hqw.gmbh

No liability can be accepted for any errors or omissions. This publication or parts thereof may not be reproduced without permission. | Ref: HQW-ZKLN-F-01/2020-EN