

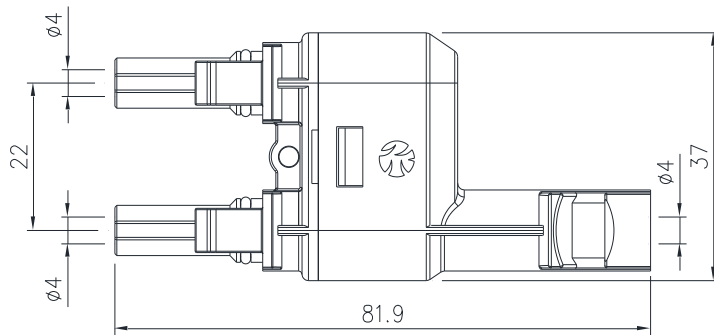
光伏4.0 2转1分支连接器 PV4.0 2 to 1 Branch Connector

产品规格 Product Specifications

绝缘材料 Insulation material	PPE	过压等级 Overvoltage category/Pollution degree	CATIII/2
额定电流 Rated current	30A	安全等级 Safety degree	II
额定电压 Rated voltage	1000VDC	阻燃等级 Flame class	UL94-V0
测试电压 Test voltage	6kV(50Hz,1min)	插入力/拔出力 Insertion force/Withdrawal force	≤50N / ≥50N
连接器接触电阻 Typical contact resistance	≤0.25 mΩ	环境温度范围 Ambient temperature range	-40°C...+85°C(IEC)
金属导体材料 Contact material	铜,镀锡 Copper,Tin plated	温度上限 limiting temperature	Upper 110°C(IEC)
保护等级 Degree of protection	IP67		

图示: Drawing:

负极
Negative

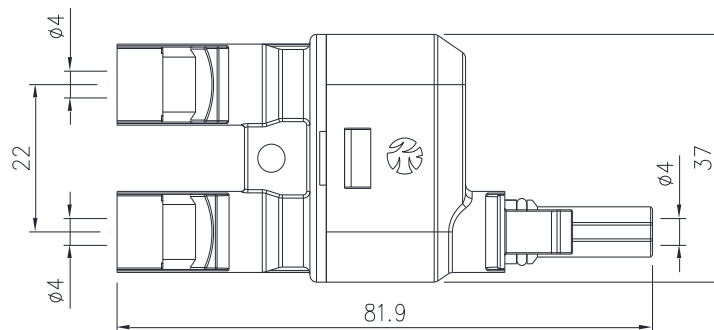


2公转1母
2 Male to 1 Female

4B0000-001



正极
Positive



2母转1公
2 Female to 1 Male

4B0001-001

