

光伏4.0保险丝连接器

PV 4.0 Fuse Connector

产品规格

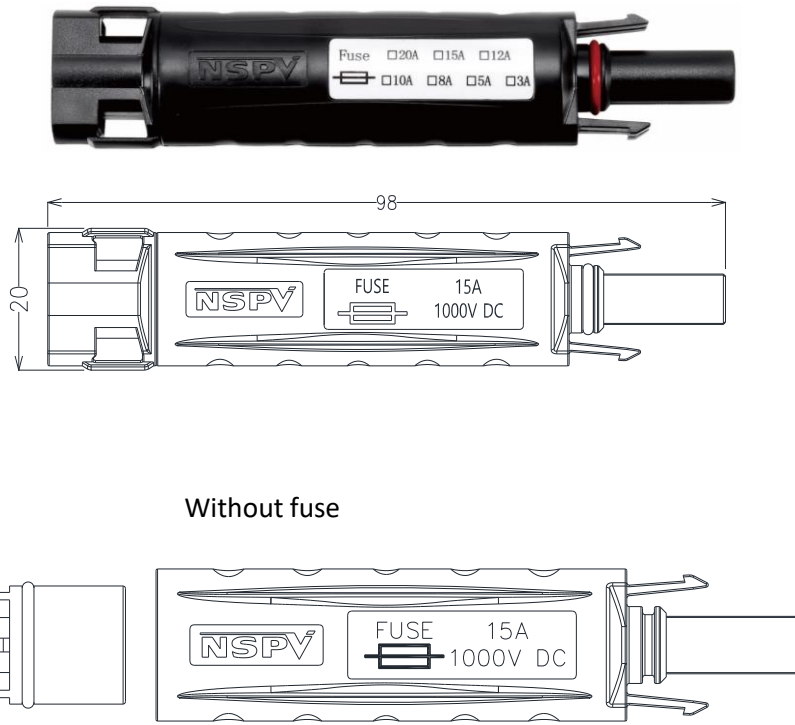
Product Specifications

绝缘材料 Insulation material	PPE/PA	过压等级 Overvoltage category/Pollution degree	CATIII/2
额定电流 (不含保险丝) Rated current (Without fuse)	30A	安全等级 Safety degree	II
额定电流(含保险丝) Rated current (With fuse)	1-30A	阻燃等级 Flame class	UL94-V0
额定电压 Rated voltage	1000VDC	插入力/拔出力 Insertion force/Withdrawal force	≤ 50N / ≥ 50N
测试电压 Test voltage	6kV(50Hz,1min)	环境温度范围 Ambient temperature range	-40℃...+85℃(IEC)
连接器接触电阻 Typical contact resistance	≤ 0.25 mΩ	温度上限 Upper limiting temperature	110℃(IEC)
金属导体材料 Contact material	铜,镀锡 Copper, Tin plated	连接方式 Connecting system	压接 Crimp connection
保护等级 Degree of protection	IP67	螺帽锁紧力 Nut cap locking force	--

图示:

Drawing:

4F0



*建议最高使用环境温度为75摄氏度，且在75-85摄氏度下使用不能超过8小时。

*Recommended that the Max ambient temperature is 75℃, and not exceed 8 hours in 75-85℃.