

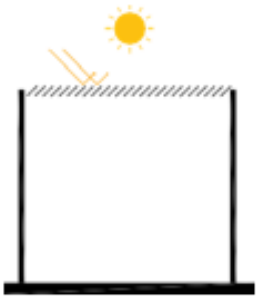
SKY ART

SHADING SYSTEMS

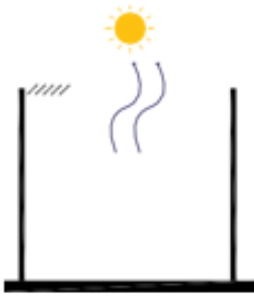
E D E N

Retractable Bioclimatic System

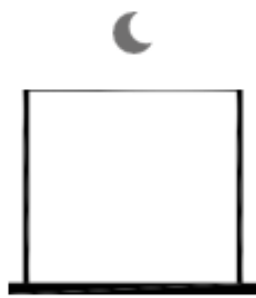




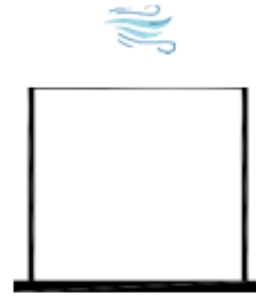
Protection
from the sun



Natural
ventilation



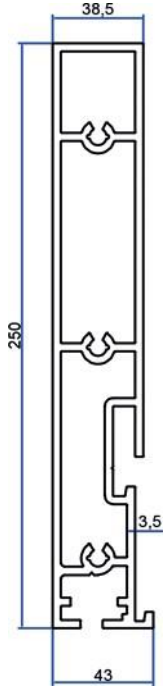
Adjusting of
temperature



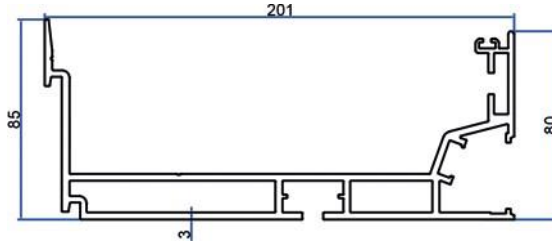
Stability in
wind



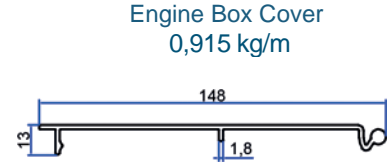
Perfect protection
against rain and
snow



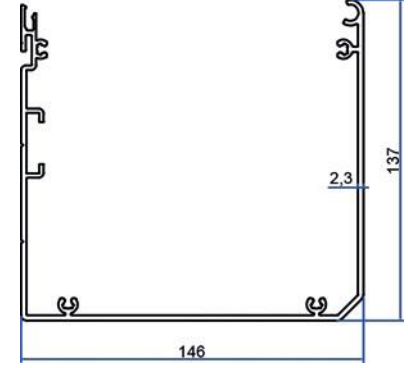
Gutter Sewing
7,213 kg/m



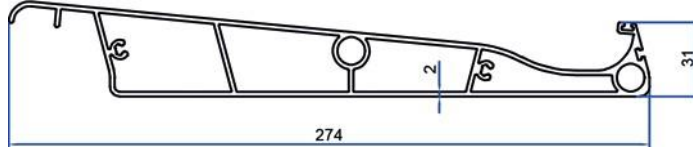
Gutter
4,950 kg/m



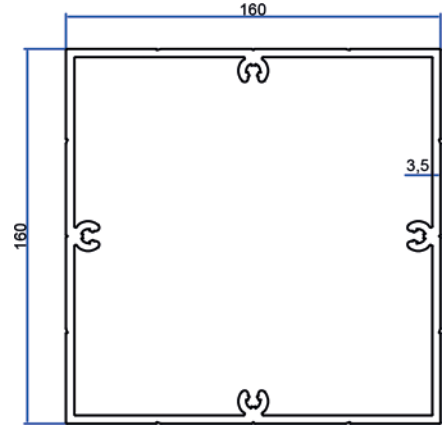
Engine Box Cover
0,915 kg/m



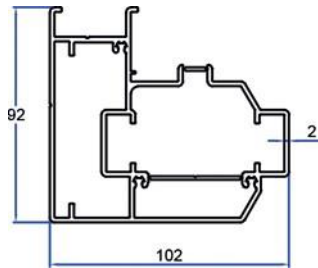
Engine Box
3,075 kg/m



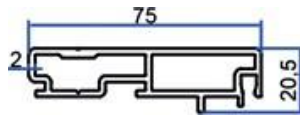
Panel Profile
3,997 kg/m



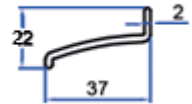
Pole Profile
6,819 kg/m



Rail Profile
3,005 kg/m



Rail Top Cover Profile
1,150 kg/m

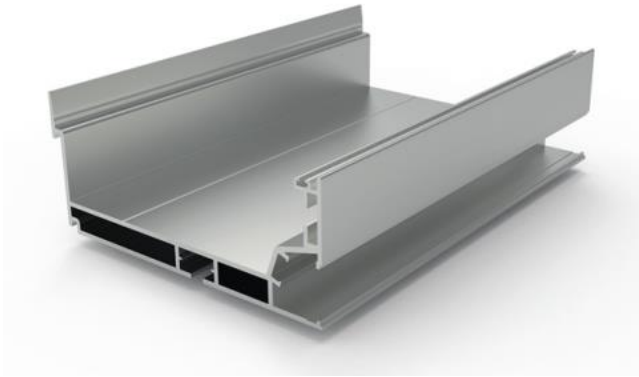


Back Panel Profile
0,323 kg/m



Gutter Sewing

Weight kg/m : 7,213
(250 x 38,5 x 3,5mm)



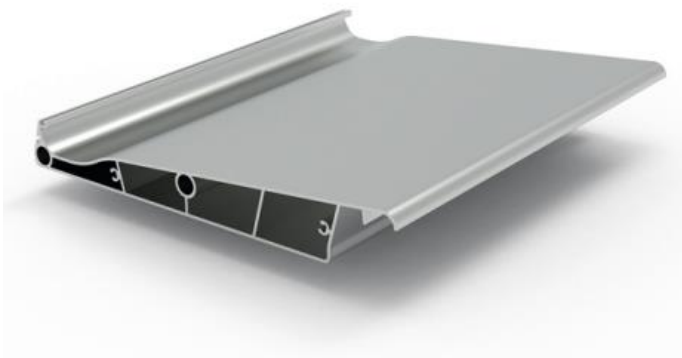
Gutter

Weight kg/m : 4,950
(85 x 201 x 3mm)



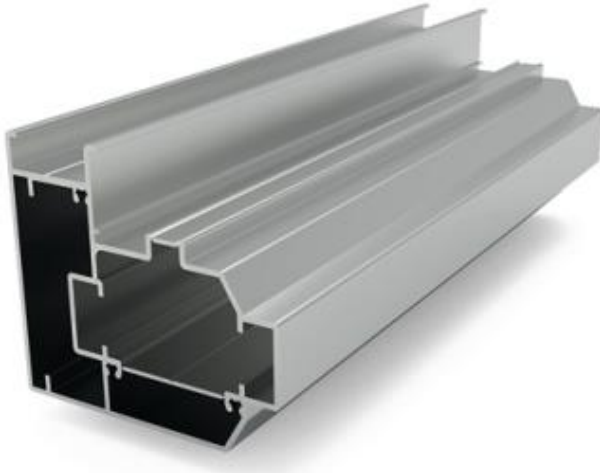
Pole Profile

Weight kg/m : 6,819
(160 x 160 x 3,5mm)

**Engine Box Cover****Weight kg/m : 0,915
(13 x 148 x 1,8mm)****Engine Box****Weight kg/m : 3,075
(146 x 137 x 2,3mm)****Panel Profile****Weight kg/m : 3,997
(274 x 31 x 2mm)**

**Rail Top Cover Profile**

Weight kg/m : 1,150
(75 x 20,5 x 2mm)

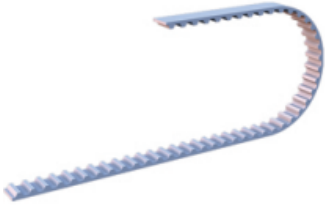
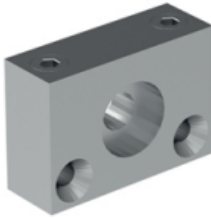
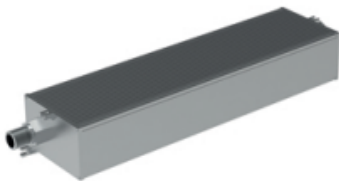
**Rail Profile**

Weight kg/m : 3,005
(102 x 92 x 2mm)

**Back Panel Profile**

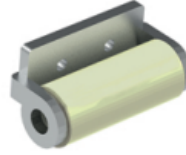
Weight kg/m : 0,323
(37 x 22 x 2mm)

**Engine Side Cover-Right****Engine Side Cover-Left****Panel Side Cover-Right****Panel Side Cover-Right****Engine Side Cover-Right****Engine Side Cover-Right****Corner Joiner-Interior****Corner Joiner-Outer**

**Octagonal Gear****Led****Timing Belt****Bearing****Bearing Housing****Octagonal Pipe Head****External IP67 Transformer****Timing Belt Apparatus**



**Panel Fixing
Right**



Belt Pusher



**Belt Tensioning
Stainless-Right**



**Panel Wheel Stud
10x115mm**



**Panel Wheel Stud
12x55mm**



Panel Top Front Stud



Panel Center Stud



**Panel Wheel and
Medium Long Bushing**



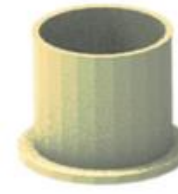
**Panel Cover Long
Bushing**



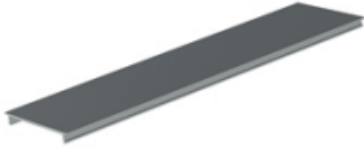
**Panel Cover Short
Bushing**



**Panel Cover Short
Bushing-Ø12**



**Scissors Püşsey
Long Bushing**



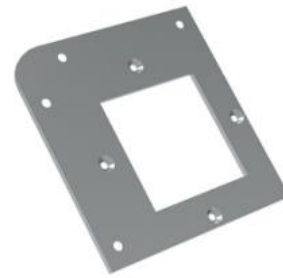
Led Cover



**Rail Channel
Plastic**



**Corner Pole
Top Cover
Sheet**



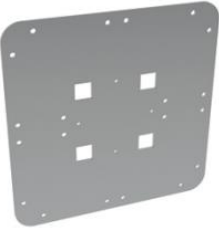
**Corner Pole Top
Connection Sheet**



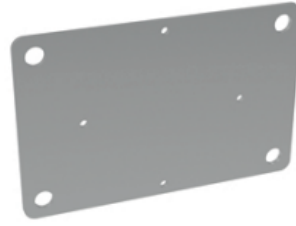
**Corner Pole
Bottom
Connection**



**Corner Pole
Middle Upper
Connection**



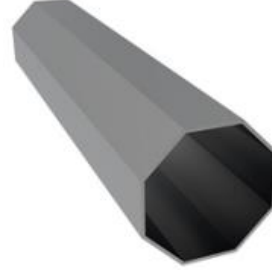
**Middle Pole
Upper
Connection**



**Corner and
Middle Bottom
Connection**



**Rail Front Belt
Adjustment Cover**



**Pipe Profile
Ø70**

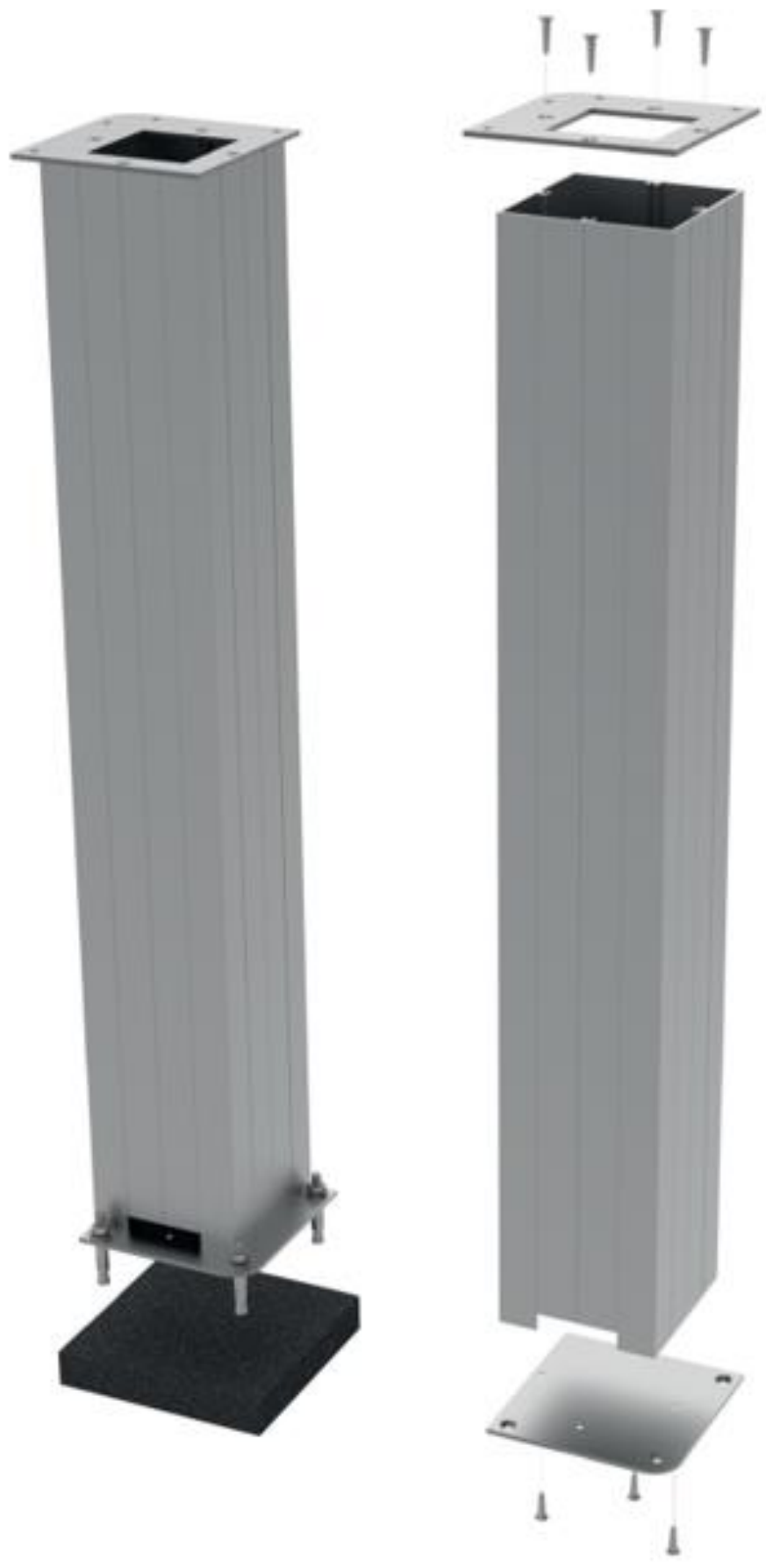


Rail Bristle Brush

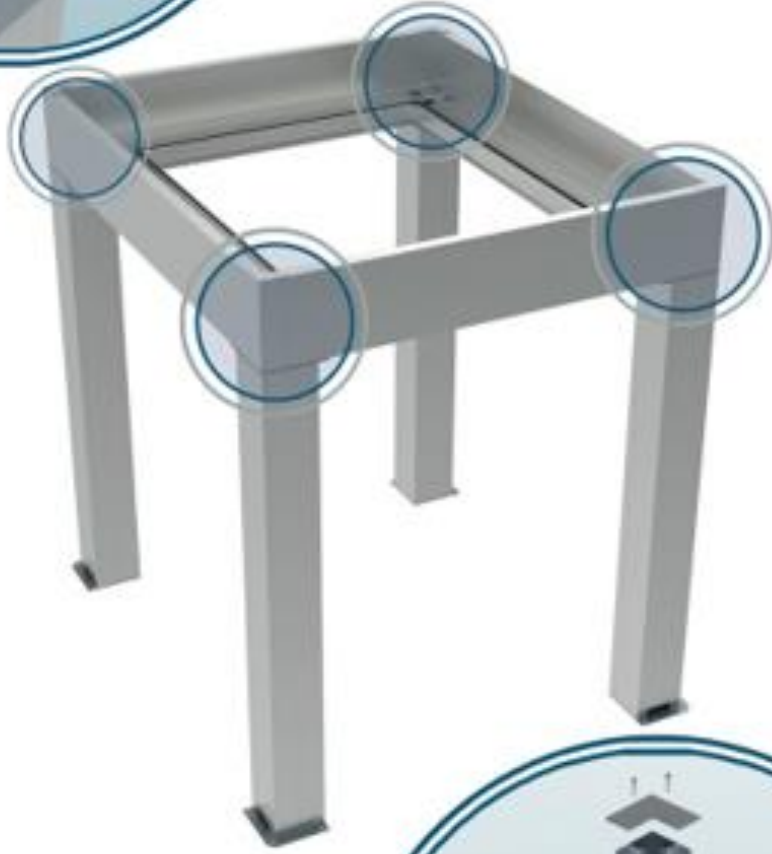


**Panel Epdm
Gasket**

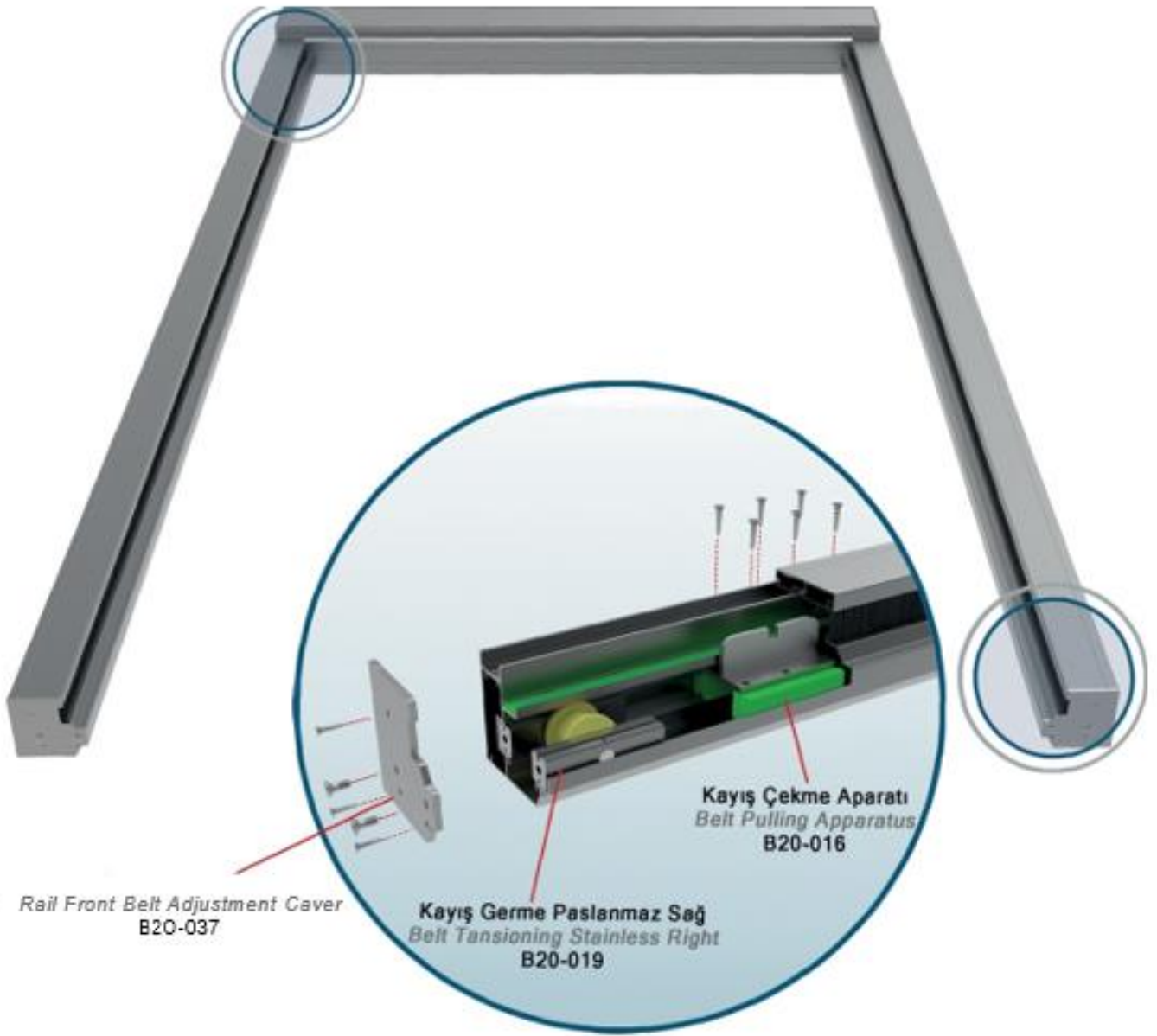
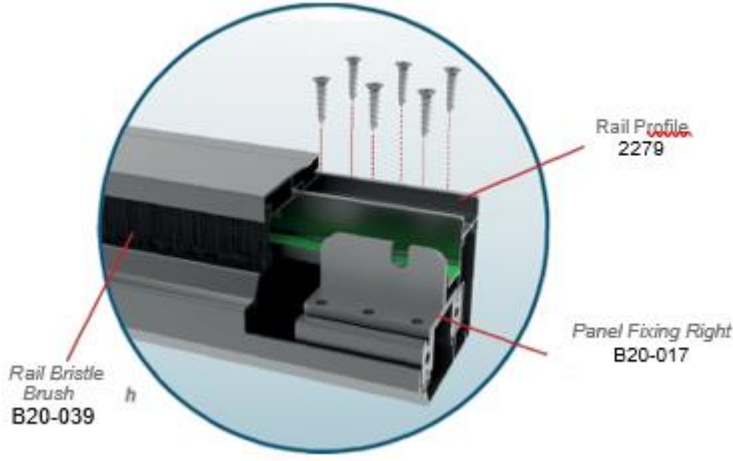


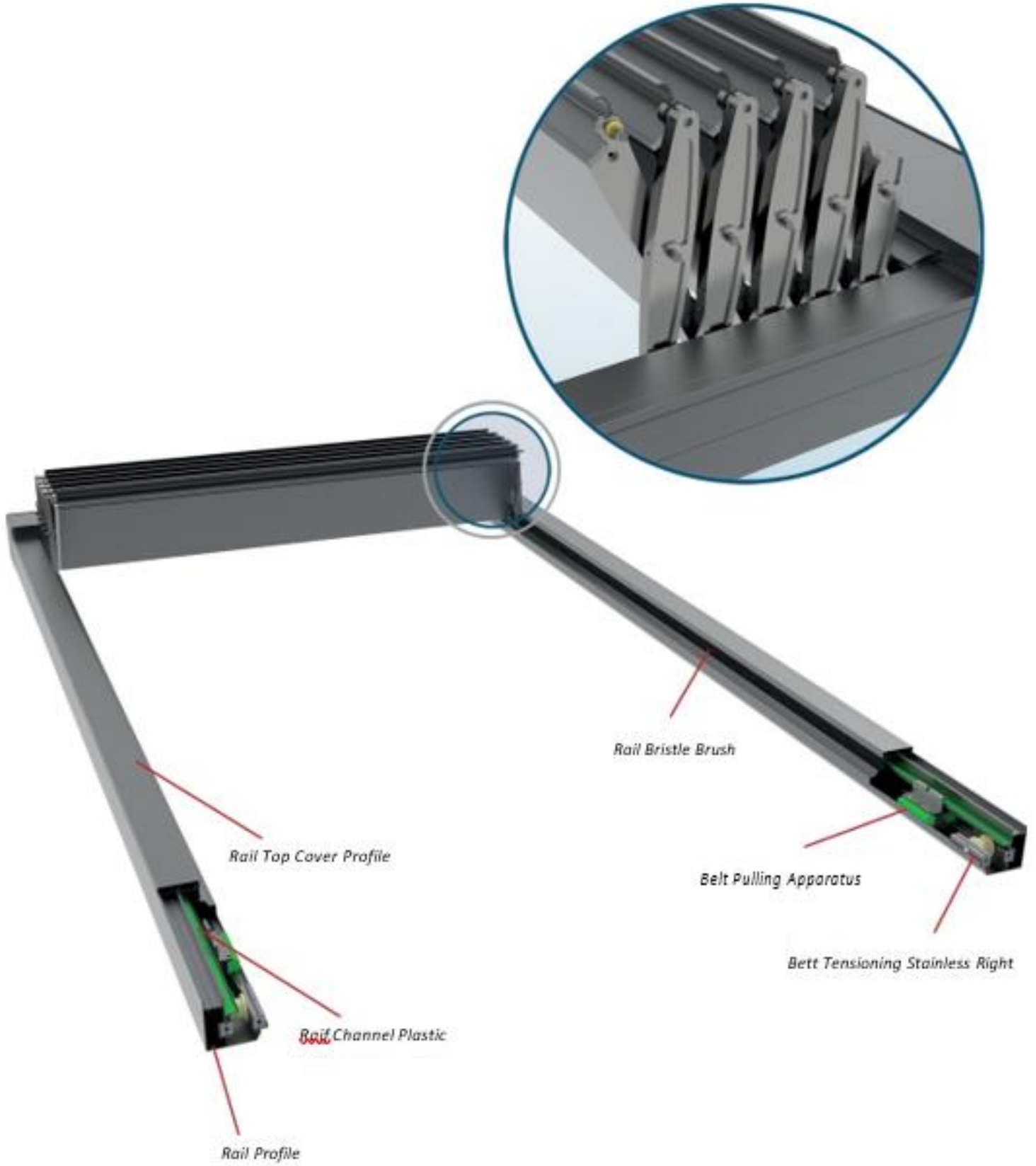














*Materials // 6063 T5
aluminum, stainless steel
and delrin*



Weight 35 ~ kg/m2



*Blade Dimensions 274x31mm
Max. Blade Length 40000mm*



WIDTH / FACEDE : MAX.4000mm
PROJECTION / OPENING : MAX.7000mm

Wind Load Resistance Test

UNE-EN 13659: 2004 Class 6 // (approx. 112 km / h)

not tested up to

190 km / h. No breakage was detected.

Snow Load Resistance Test

Standard EN-1999 EUROCODE 9 // 100 kg / m² (including its own weight) aluminum structures project

Rain Test

Standard UNE-EN 12056-3 // (0.03 l/s max) Fixed heavy rain approx. 108 l.m²/h (structures + lamels)

Finishes

10 years of warranty for finishes.



S K Y A R T

www.skyartshading.com